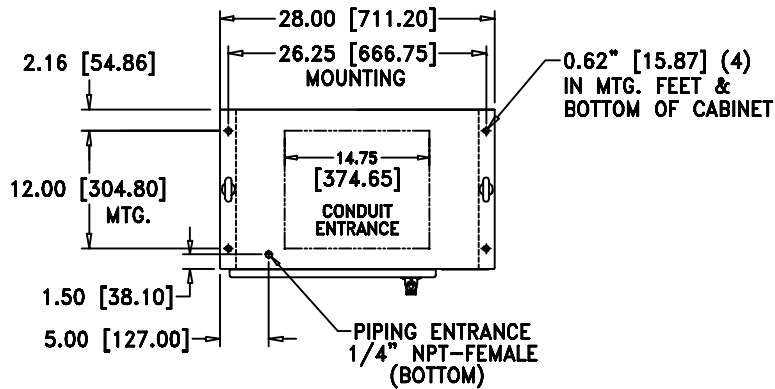


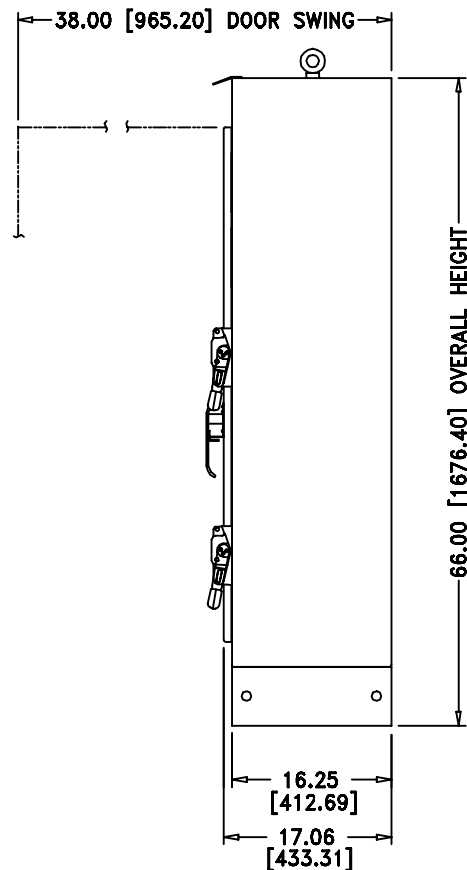
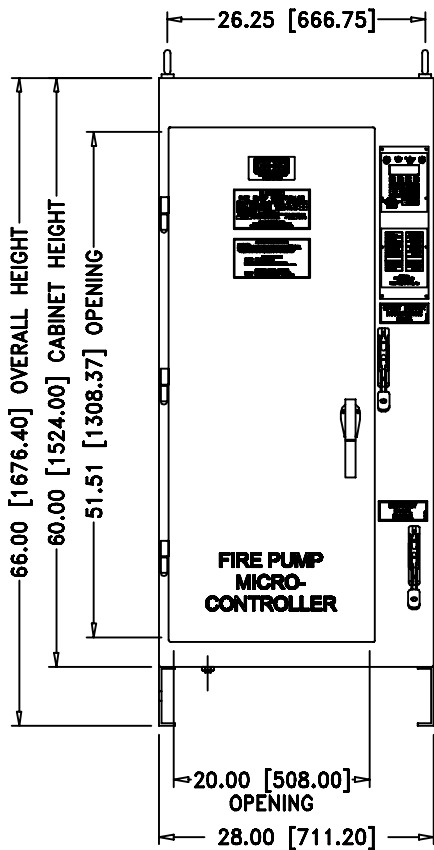
Dimensions and Data

For Full Service Fire Pump Controller Solid State Soft Start/Stop

LXi-1100



DIMENSIONS SUBJECT TO CHANGE WITHOUT NOTICE. ALWAYS CONSULT FACTORY TO CONFIRM CURRENT INFORMATION.



RATINGS	HP	VOLTS	WITHSTAND	ENCLOSURE TYPE
ORDER INFORMATION	15-50	200-208V.	100,000 A (STD)	NEMA 2 (STD.)
	15-60	220-240V.	150,000 A	NEMA 3R
	15-100	380-415V.		NEMA 12
	15-125	440-480V.	200,000 A	NEMA 4 (NOT SHOWN *)
	15-150	550-600V.		NEMA 4X (NOT SHOWN *)
SELECT	HP	VOLTS	WITHSTAND	ENCLOSURE TYPE

NOTES:

- ENCLOSURE MADE FROM 11 GA. STEEL
- FINISH: RED EPOXY-POLYESTER
- NO KNOCKOUTS
- BOTTOM or TOP CONDUIT ENTRY
- PROTECT INTERNAL EQUIPMENT FROM DRILLING CHIPS
- FLOOR MOUNTING
- *T* INDICATES METRIC (mm) DIMENSIONS
- *-SAME OUTSIDE DIMENSIONS



HUBBELL / INDUSTRIAL CONTROLS, INC.
4301 Cheyenne Drive, Archdale, N.C. 27263

DATE:	REV.
08/02/2002	-
DRAWING NUMBER:	
11CE0011	