

LINE TERMINALS - WIRE CAPACITY AND QUANTITY 1

MAXIMUM MOTOR HORSEPOWER	WIRE SIZE PER PHASE (75°C Cu)		TIGHTENING TORQUE (ft-lb)
	200-208	220-240 380-415 440-480 550-600	
30	40	60 75 100	50
75	75	125 150 200	180
100	100	150 200 250	550
125	125	200 250 350	375
150	150	250 300 400	275
-	200	300 400 400	375
250	250	400 500 500	375
-	500	-	375

MOTOR TERMINALS - WIRE CAPACITY AND QUANTITY 1

MAXIMUM MOTOR HORSEPOWER	WIRE SIZE PER PHASE (75°C Cu)		TIGHTENING TORQUE (ft-lb)
	0-480	550-600	
-	-	20 30 40	35
20	30	50 60 75	52
60	60	100 150 150	110
150	150	250 300 400	375
250	250	500 500 500	400

WIRE SIZE 2	GROUND LUG SERVICE ENTRANCE
(2)#6-#350 kcmil AWG	wire size torque (in-lb)
#6-#4	110
#3/0-#4/0	0
#250-#350 kcmil	325

NOTES

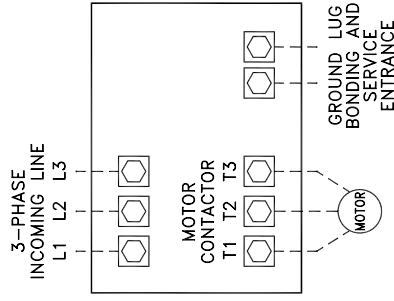
- Incoming line terminals are provided to accommodate wire sizes at 125% of motor full load current per NFPA 70 and NFPA 70. Copper (Cu) wire is required.
- Controller is phase rotation sensitive. Incoming lines L1, L2 and L3 must be in ABC, right hand rotation sequence for proper operation of the phase monitor.
- Motor connections shown are typical. Since motor connections vary widely, refer to the motor manufacturer's connection diagram for specific wiring arrangement.

1

2 When required by the authority having jurisdiction.

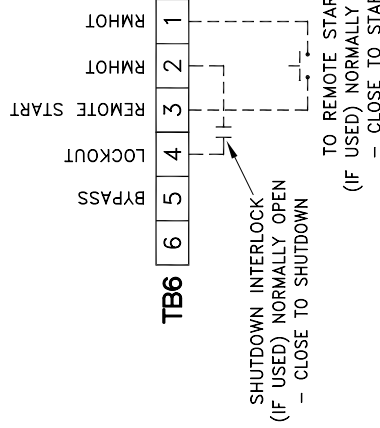
PRESSURE SYSTEM CONNECTION
1/4" NPT

NOTE: CONTACTS RATED FOR PILOT DUTY ONLY
240 VAC, 8A MAXIMUM LOAD.
EXTERNAL CONTROL W



CONTROL AND ALARM TERMINAL BLOCKS

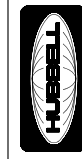
- CONTACTS SHOWN IN NO POWER CONDITION, PUMP OFF.
- FOR FIRE PUMP CONTROLLER SCHEMATIC DIAGRAM, SEE DWG. NO. 12DS0011.



STANDARD LXI-1200 FIELD CONNECTIONS
ACROSS-THE-LINE STARTER
FULL SERVICE FIRE PUMP CONTROLLER

M/L NO.
MOTION:
REF.

CADD NO. 12DF0011 DATE 12/04/03 DR. TR CK. DAMA APPR.



Hubbell Industrial Controls, Inc.
4301 Cheyenne Drive, Archdale, N.C. 27263

Rev.	DATE	BY	DESCRIPTION
A	03/11/08	DAMA	UPDATED VALUES IN LINE AND MOTOR TERMINAL TABLES.