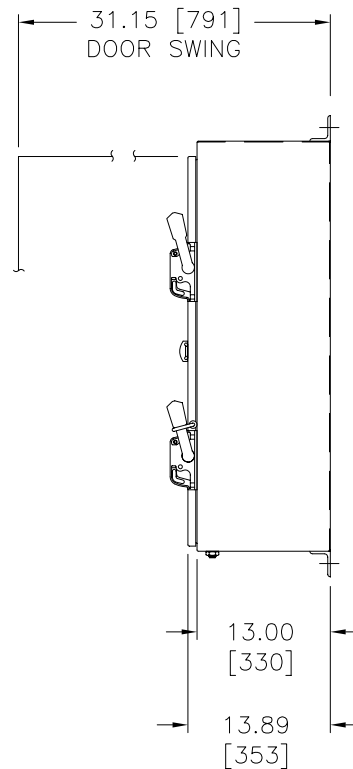
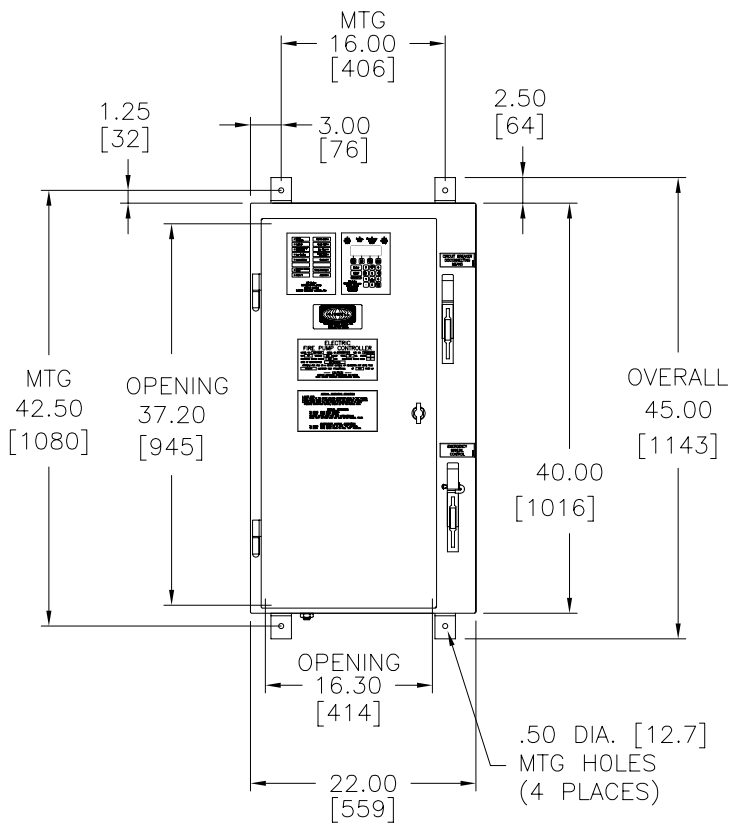
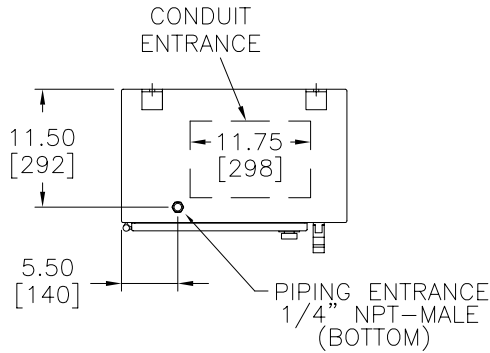
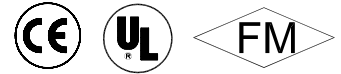


Dimensions and Data

For Full Service Fire Pump Controller
Across-The-Line Starter

LXi-1200

DIMENSIONS SUBJECT TO CHANGE WITHOUT NOTICE. ALWAYS CONSULT FACTORY TO CONFIRM CURRENT INFORMATION.



RATINGS	HP	VOLTS	WITHSTAND	ENCLOSURE TYPE
ORDER INFORMATION	3-30	200-208V.	100,000 A (STD)	NEMA 2 (STD.)
	3-40	220-240V.		NEMA 3R
	3-60	380-415V.	150,000 A	NEMA 12
	3-75	440-480V.		NEMA 4 (NOT SHOWN *)
	3-100	550-600V.	200,000 A	NEMA 4X (NOT SHOWN *)
SELECT	HP	VOLTS	WITHSTAND	ENCLOSURE TYPE

NOTES:

- ENCLOSURE MADE FROM 14 GA. STEEL
- FINISH: RED EPOXY-POLYESTER
- NO KNOCKOUTS
- BOTTOM CONDUIT ENTRY
- PROTECT INTERNAL EQUIPMENT FROM DRILLING CHIPS
- FLOOR MOUNTING
- "[]" INDICATES METRIC (mm) DIMENSIONS
- *-SAME OUTSIDE DIMENSIONS



Hubbell Industrial Controls, Inc.
4301 Cheyenne Drive, Archdale, N.C. 27263

DATE:	REV.
12/05/2003	A
DRAWING NUMBER:	
12DE0011	