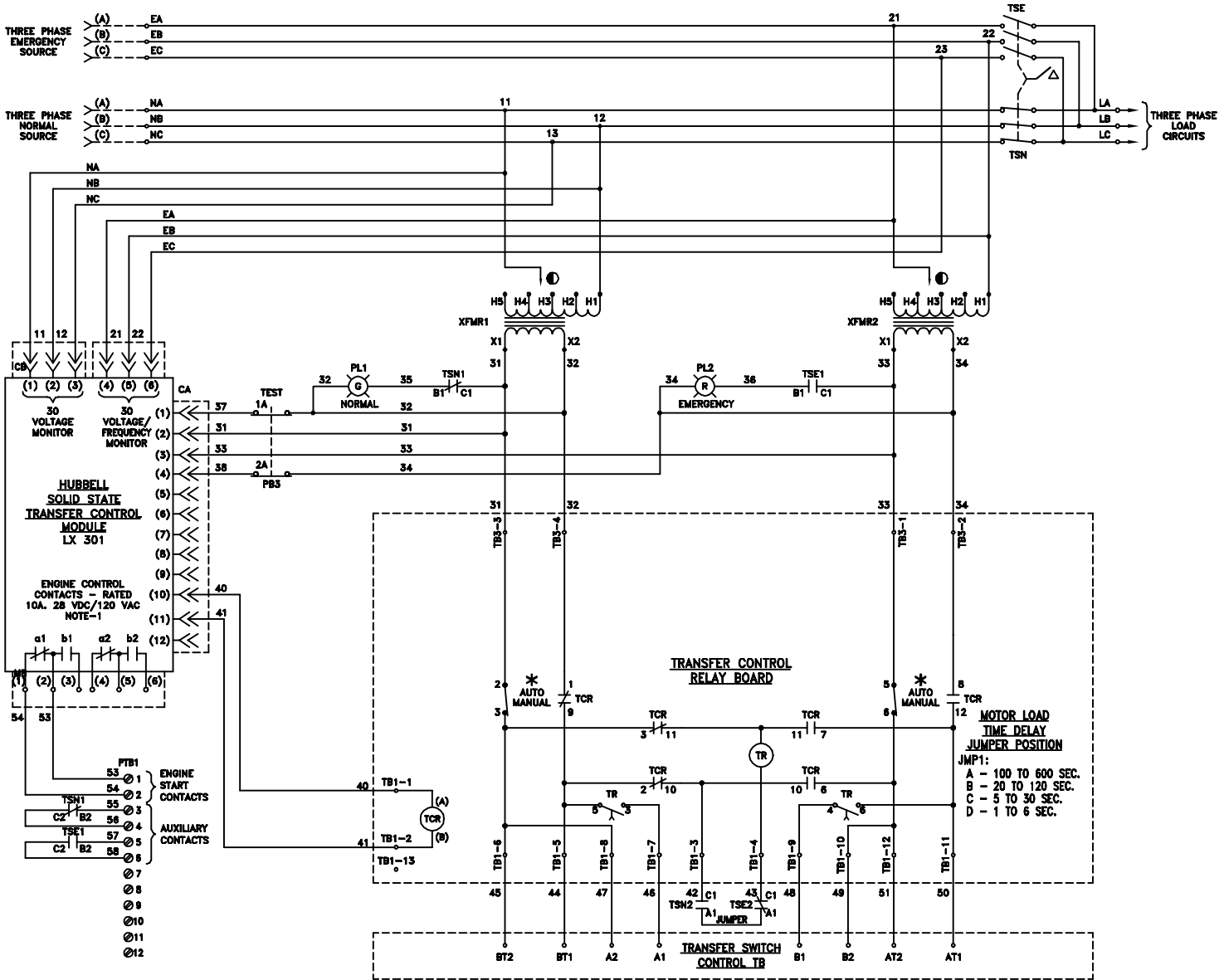


Schematic Diagram

Automatic Transfer Switch

3 Pole w/Motor Load Time Delay

LX-450



GD GROUND LUG FOR SERVICE ENTRANCE

NOTES:

1. TSN AND TSE POWER POLES ARE MECHANICALLY INTERLOCKED.
 2. CONTACTS SHOWN IN "NO POWER" STATE WITH LOAD CONNECTED TO NORMAL SOURCE (TSN ACTUATED).
- △ OPERATOR PROVIDED FOR MANUAL TRANSFER
- TRANSFORMER CONNECTIONS CONNECT PER VOLTAGE REQUIRED
- * SHOWN IN AUTO POSITION



A1,A2	NORMAL SIDE CONTROL POWER
AT1,AT2	NORMAL SIDE TRIP CONTROL POWER
B1,B2	EMERGENCY SIDE CONTROL POWER
BT1,BT2	EMERGENCY SIDE TRIP CONTROL POWER
PB3	TEST PUSHBUTTON
PL1	NORMAL POWER PILOT LIGHT, GREEN
PL2	EMERGENCY POWER PILOT LIGHT, RED
TCR	TRANSFER CONTROL RELAY
TCRB	TRANSFER CONTROL RELAY BOARD
TSN	NORMAL SIDE CONTACTS
TSE	EMERGENCY SIDE CONTACTS
XFMR1	NORMAL SIDE TRANSFORMER
XFMR2	EMERGENCY SIDE TRANSFORMER
SYMBOL	DESCRIPTION



HUBBELL / INDUSTRIAL CONTROLS, INC.
 50 Edwards Street
 Madison, Ohio 44057
 Phone: (440) 428-1161 Fax: (440) 428-7635

DATE:	REV.
09/04/01	-
DRAWING NUMBER:	
45AT0061	