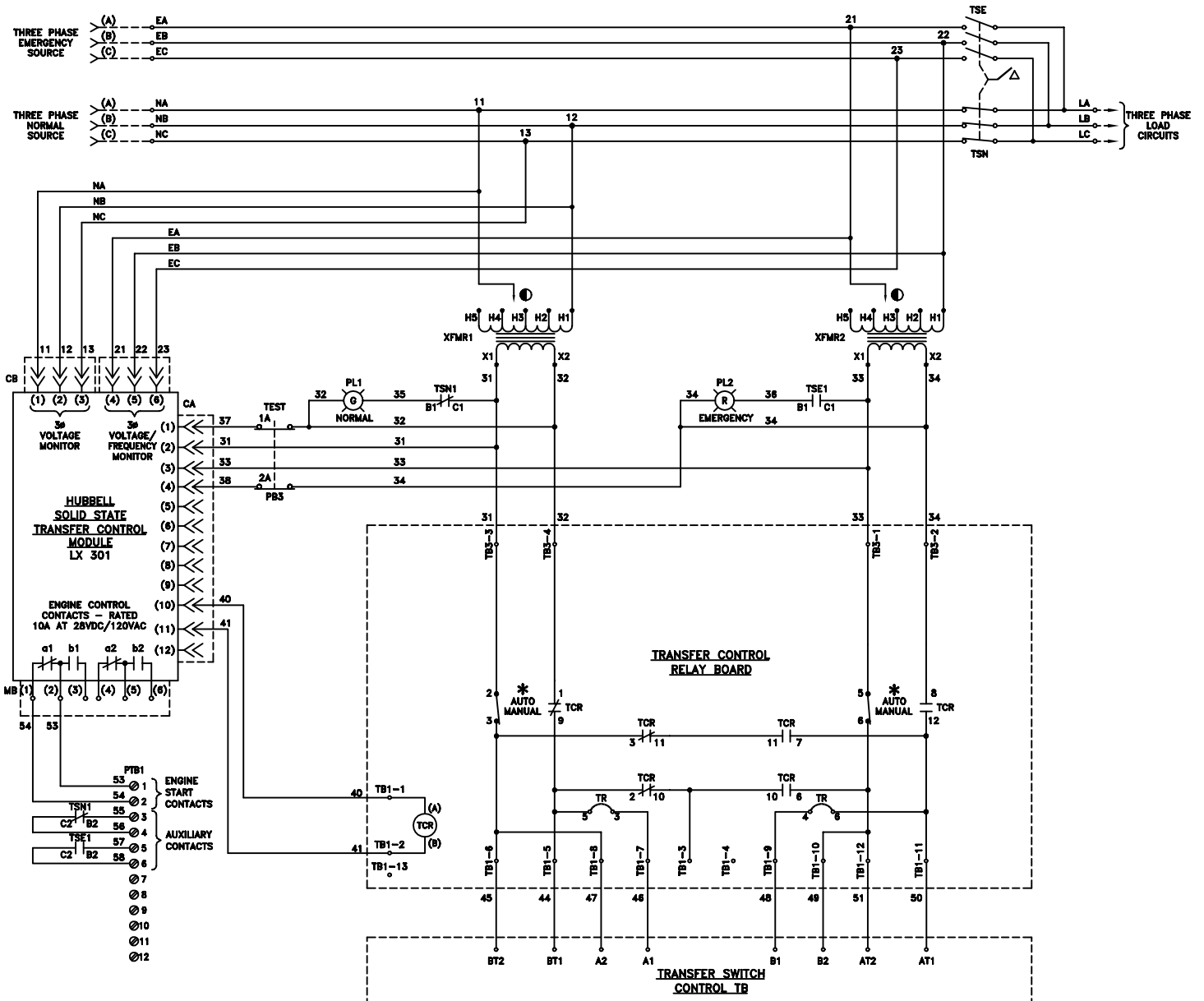


# Schematic Diagram

## Automatic Transfer Switch

### Standard 3 Pole

# LX-450



#### NOTES:

1. TSN and TSE POWER POLES ARE MECHANICALLY INTERLOCKED.
2. CONTACTS SHOWN IN "NO POWER" STATE WITH LOAD CONNECTED TO NORMAL SOURCE (TSN ACTUATED).

△ OPERATOR PROVIDED FOR MANUAL TRANSFER

● TRANSFORMER CONNECTIONS CONNECT PER VOLTAGE REQUIRED

\* SHOWN IN AUTO POSITION



SYMBOL	DESCRIPTION
A1,A2	NORMAL SIDE CONTROL POWER
B1,B2	EMERGENCY SIDE CONTROL POWER
PB3	TEST PUSHBUTTON
PL1	NORMAL POWER PILOT LIGHT, GREEN
PL2	EMERGENCY POWER PILOT LIGHT, RED
TCR	TRANSFER CONTROL RELAY
TCRB	TRANSFER CONTROL RELAY BOARD
TSN	NORMAL SIDE CONTACTS
TSE	EMERGENCY SIDE CONTACTS
XFMR1	NORMAL SIDE TRANSFORMER
XFMR2	EMERGENCY SIDE TRANSFORMER



**HUBBELL / INDUSTRIAL CONTROLS, INC.**  
4301 Cheyenne Drive, Archdale, N.C. 27263

DATE	REV.
10/30/2003	A
DRAWING NUMBER: <b>45AT0051</b>	