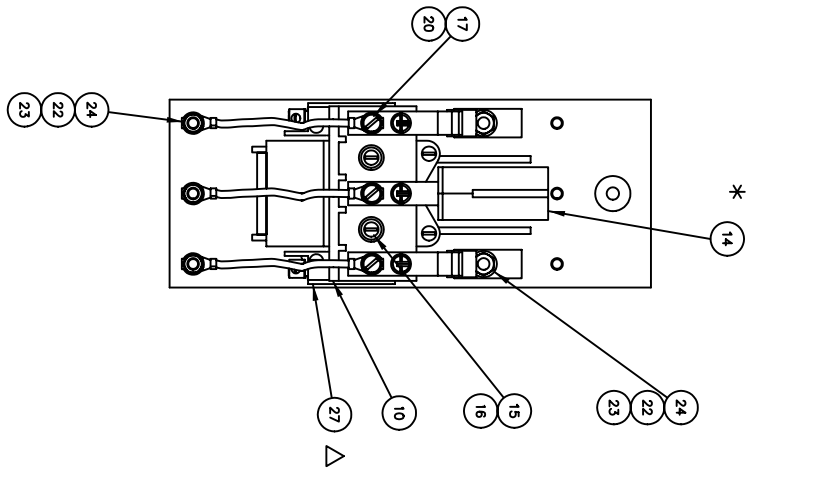
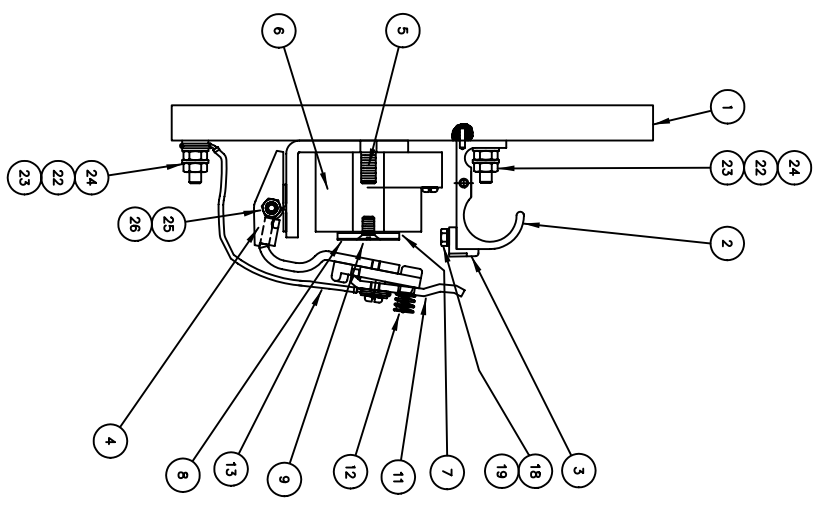


COMPLETE ASSEMBLY PART NO.'S	SUFFIX	OPERATING COIL (VOLTS) ITEM 6	SUFFIX	OPERATING COIL (VOLTS) ITEM 6	ARC SHIELD ASSEMBLY ITEM 14
1 POLE COPPER CONTACT PART NO.: 59301-XXX	101	115/125	101	115/125	1
3 POLE COPPER CONTACTS PART NO.: 59303-XXX	102	230/275	102	230/275	1
1 POLE SILVER CAD-OXIDE FACED CONTACT PART NO.: 59301-XXX	103	57.5	103	57.5	1
3 POLE SILVER CAD-OXIDE FACED CONTACTS PART NO.: 59303-XXX	104	115/125	104	115/125	1
1 POLE COPPER CONTACT PART NO.: 59301-XXX	105	230/275	105	230/275	1
3 POLE COPPER CONTACTS PART NO.: 59303-XXX	106	57.5	106	57.5	1
1 POLE COPPER CONTACT PART NO.: 59301-XXX	107	115/125	107	115/125	1
3 POLE COPPER CONTACTS PART NO.: 59303-XXX	108	230/275	108	230/275	1
1 POLE COPPER CONTACT PART NO.: 59301-XXX	109	57.5	109	57.5	1
3 POLE COPPER CONTACTS PART NO.: 59303-XXX	110	115/125	110	115/125	1
1 POLE COPPER CONTACT PART NO.: 59301-XXX	111	230/275	111	230/275	1
3 POLE COPPER CONTACTS PART NO.: 59303-XXX	112	57.5	112	57.5	1
1 POLE COPPER CONTACT PART NO.: 59301-XXX	113	115/125	113	115/125	1
3 POLE COPPER CONTACTS PART NO.: 59303-XXX	114	230/275	114	230/275	1
1 POLE COPPER CONTACT PART NO.: 59301-XXX	115	57.5	115	57.5	1
3 POLE COPPER CONTACTS PART NO.: 59303-XXX	116	115/125	116	115/125	1
1 POLE COPPER CONTACT PART NO.: 59301-XXX	117	230/275	117	230/275	1
3 POLE COPPER CONTACTS PART NO.: 59303-XXX	118	57.5	118	57.5	1
1 POLE COPPER CONTACT PART NO.: 59301-XXX	119	115/125	119	115/125	1
3 POLE COPPER CONTACTS PART NO.: 59303-XXX	120	230/275	120	230/275	1
1 POLE COPPER CONTACT PART NO.: 59301-XXX	121	57.5	121	57.5	1
3 POLE COPPER CONTACTS PART NO.: 59303-XXX	122	115/125	122	115/125	1
1 POLE COPPER CONTACT PART NO.: 59301-XXX	123	230/275	123	230/275	1
3 POLE COPPER CONTACTS PART NO.: 59303-XXX	124	57.5	124	57.5	1



ITEM	DESCRIPTION	PART NO.	QTY.	Pole 1	Pole 2	Pole 3
1	BASE	68013-003	1	1	1	1
2	UPRIGHT & CU CONTACT	58881-105	1	2	3	
3	STATIONARY CONTACT (COPPER)	58881-110	1	2	3	
4	STATIONARY CONTACT (SILVER CAD-OXIDE FACED)	02315-000	1	2	3	
5	ARMATURE-STATOR HINGE PIN ASSEMBLY	02315-001	1	2	3	
6	COIL (115/125V D.C.)	58675-003	1	1	1	
7	COIL (230/275V D.C.)	66475-017	1	1	1	
8	COIL (57.5V D.C.)	68014-002	1	1	1	
9	COIL (230/275V D.C.)	68014-008	1	1	1	
10	COIL (57.5V D.C.)	68014-003	1	1	1	
11	COIL (24V D.C.)	68014-004	1	1	1	
12	CORE CAP	18048-000	1	1	1	
13	NONMAGNETIC SPACER	19683-001	1	1	1	
14	FINGER BOARD	47665-108	1	1	1	
15	MOVABLE FINGER (SILVER FACED)	42005-000	1	1	1	
16	FINGER SPRING	05721-000	1	2	3	
17	ARC SHIELD ASSEMBLY	05721-001	1	2	3	
18	#8-32 X .625 LONG ROUND HEAD SCREW	04870-001	1	2	3	
19	#8-32 X .375 LONG SEMS. SCREW BRASS	42855-001	2	2	2	
20	#10-24 X 1.31 LONG STUDD	47252-064	2	2	2	
21	#10-24 X .375 LONG HEX HEAD SCREW S.S.	48138-003	1	2	3	
22	#10 SPLIT LOCK WASHER	47252-065	1	2	3	
23	#10 FLAT WASHER - BRASS	47251-008	1	2	3	
24	#10-32 HEX NUT - BRASS	47251-041	5	10	15	
25	#10-32 HEX NUT BRASS	47254-011	4	8	12	
26	#10 EXTERNAL LOCKWASHER	47254-009	1	1	1	
27	AUXILIARY ASSEMBLY 1 N.O. & 1 N.C. CONTACT (KIT)	47303-006	1	1	1	

- △ THESE ITEMS ARE FURNISHED WITH UPRIGHT AND CONTACT ASSEMBLY
- SELECT ONE ITEM ONLY (QUANTITIES AS SHOWN)
- * AUXILIARY CONTROL CONTACT ASSEMBLY P/N 68011-003 TO BE ORDERED SEPARATELY. AUXILIARY CONTROL CONTACT ASSEMBLY IS NOT INCLUDED WITH COMPLETE CONTACTOR ASSEMBLY
- * NOTE: THE ARC SHIELD ASSEMBLY IS USED ON THREE POLE APPLICATIONS ONLY. THE ARC SHIELD IS USED ON THE CENTER POLE FOR POWER CIRCUITS AND IS NOT REQUIRED FOR CONTROL CIRCUITS.

REV	DATE	BY	DESCRIPTION
E	5-24-00	HR	AUX #68011 WAS 68040
D	2-11-90	TU	REVISION TO COIL, REMOVED FEED IN, CHANGED REVERSE 28 & 29
C	2-11-94	HW/JC	REMOVED PER ECH 5210-260
B	6-9-80	FEB/CH	ADDED KIT P/N FOR AUX.
A	5-23-80	FEB	WAS 47250-502 & REMOVED 1 FROM QTY

LINE/REV	QTY	DESCRIPTION	UNIT	DATE	DRG. NO.	CHK.	REF.
1	1	ARC SHIELD ASSEMBLY	AS REQUIRED		RPC-59303-1		
2	1	BASE					
3	1	UPRIGHT & CU CONTACT					
4	1	STATIONARY CONTACT (COPPER)					
5	1	STATIONARY CONTACT (SILVER CAD-OXIDE FACED)					
6	1	ARMATURE-STATOR HINGE PIN ASSEMBLY					
7	1	COIL (115/125V D.C.)					
8	1	COIL (230/275V D.C.)					
9	1	COIL (57.5V D.C.)					
10	1	COIL (24V D.C.)					
11	1	CORE CAP					
12	1	NONMAGNETIC SPACER					
13	1	FINGER BOARD					
14	1	MOVABLE FINGER (SILVER FACED)					
15	1	FINGER SPRING					
16	1	ARC SHIELD ASSEMBLY					
17	1	#8-32 X .625 LONG ROUND HEAD SCREW					
18	1	#8-32 X .375 LONG SEMS. SCREW BRASS					
19	1	#10-24 X 1.31 LONG STUDD					
20	1	#10 SPLIT LOCK WASHER					
21	1	#10 FLAT WASHER - BRASS					
22	1	#10-32 HEX NUT - BRASS					
23	1	#10-32 HEX NUT BRASS					
24	1	#10 EXTERNAL LOCKWASHER					
25	1	AUXILIARY ASSEMBLY 1 N.O. & 1 N.C. CONTACT (KIT)					