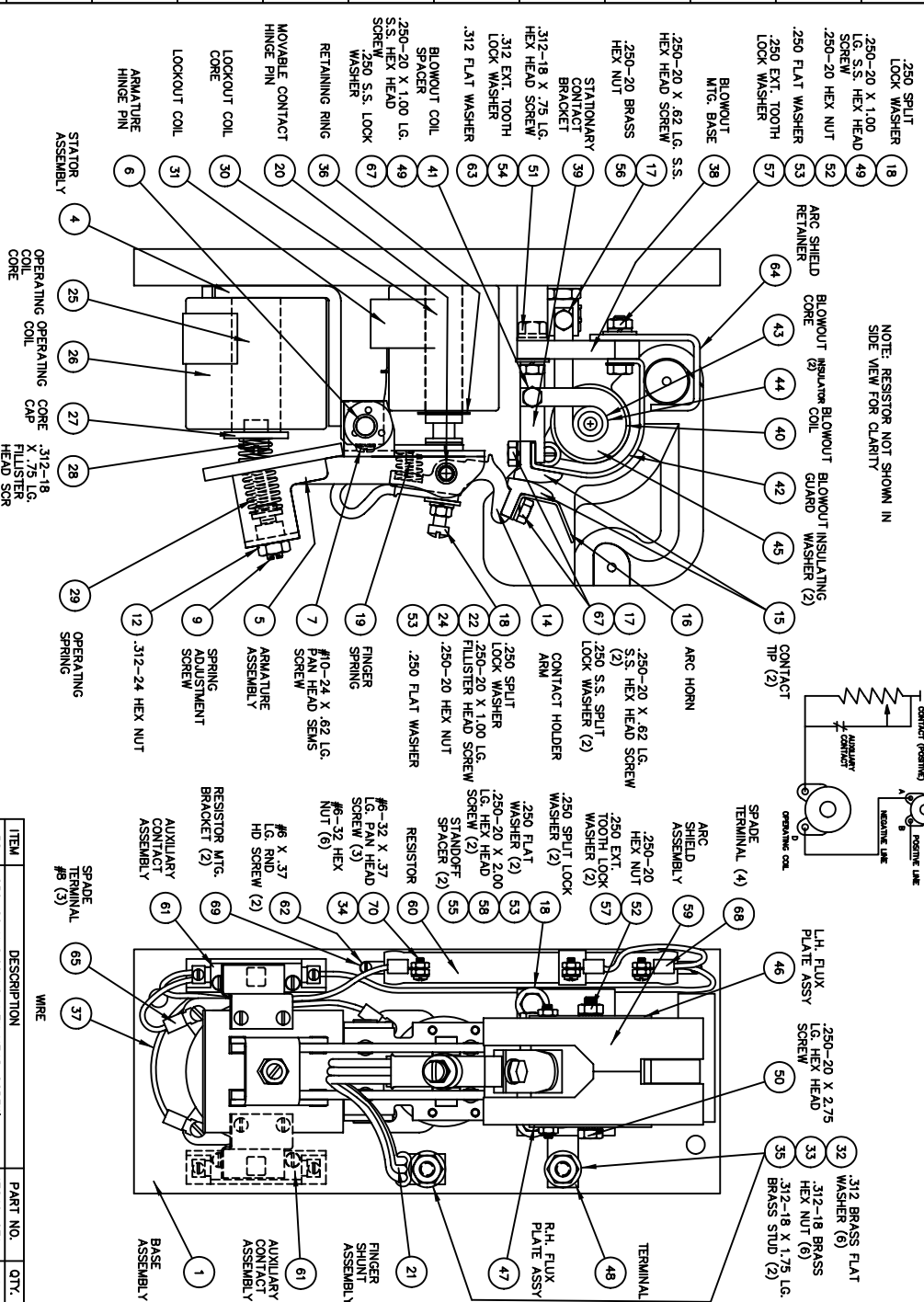


NOTE: WHEN ORDERING REPAIR PARTS BE SURE TO FURNISH SERIAL NUMBER & PART NUMBER WHICH ARE LOCATED ON NAME PLATE. ALSO PART NAME & PART NUMBER.

ITEM	DESCRIPTION	PART NO.	QTY.
1	BASE ASSEMBLY	58868-002	1
2	ARC SHIELD ASSEMBLY	16993-000	1
3	STATOR ASSEMBLY	19795-000	1
4	ARMATURE ASSEMBLY	19797-002	1
5	ARMATURE HINGE PIN	58843-001	1
6	#10-24 X .62 LG. PAN HEAD SEMS SCREW	49137-076	1
7	SPRING ADJUSTMENT SCREW	42899-000	1
8	SPRING ADJUSTMENT SCREW	42899-000	1
9	SPRING ADJUSTMENT SCREW	42899-000	1
10	SPRING ADJUSTMENT SCREW	42899-000	1
11	SPRING ADJUSTMENT SCREW	42899-000	1
12	SPRING ADJUSTMENT SCREW	42899-000	1
13	SPRING ADJUSTMENT SCREW	42899-000	1
14	SPRING ADJUSTMENT SCREW	42899-000	1
15	SPRING ADJUSTMENT SCREW	42899-000	1
16	SPRING ADJUSTMENT SCREW	42899-000	1
17	SPRING ADJUSTMENT SCREW	42899-000	1
18	SPRING ADJUSTMENT SCREW	42899-000	1
19	SPRING ADJUSTMENT SCREW	42899-000	1
20	SPRING ADJUSTMENT SCREW	42899-000	1
21	SPRING ADJUSTMENT SCREW	42899-000	1
22	SPRING ADJUSTMENT SCREW	42899-000	1
23	SPRING ADJUSTMENT SCREW	42899-000	1
24	SPRING ADJUSTMENT SCREW	42899-000	1
25	SPRING ADJUSTMENT SCREW	42899-000	1
26	SPRING ADJUSTMENT SCREW	42899-000	1
27	SPRING ADJUSTMENT SCREW	42899-000	1
28	SPRING ADJUSTMENT SCREW	42899-000	1
29	SPRING ADJUSTMENT SCREW	42899-000	1
30	SPRING ADJUSTMENT SCREW	42899-000	1
31	SPRING ADJUSTMENT SCREW	42899-000	1
32	SPRING ADJUSTMENT SCREW	42899-000	1
33	SPRING ADJUSTMENT SCREW	42899-000	1
34	SPRING ADJUSTMENT SCREW	42899-000	1
35	SPRING ADJUSTMENT SCREW	42899-000	1
36	SPRING ADJUSTMENT SCREW	42899-000	1
37	SPRING ADJUSTMENT SCREW	42899-000	1
38	SPRING ADJUSTMENT SCREW	42899-000	1
39	SPRING ADJUSTMENT SCREW	42899-000	1
40	SPRING ADJUSTMENT SCREW	42899-000	1
41	SPRING ADJUSTMENT SCREW	42899-000	1
42	SPRING ADJUSTMENT SCREW	42899-000	1
43	SPRING ADJUSTMENT SCREW	42899-000	1
44	SPRING ADJUSTMENT SCREW	42899-000	1
45	SPRING ADJUSTMENT SCREW	42899-000	1
46	SPRING ADJUSTMENT SCREW	42899-000	1
47	SPRING ADJUSTMENT SCREW	42899-000	1
48	SPRING ADJUSTMENT SCREW	42899-000	1
49	SPRING ADJUSTMENT SCREW	42899-000	1
50	SPRING ADJUSTMENT SCREW	42899-000	1
51	SPRING ADJUSTMENT SCREW	42899-000	1
52	SPRING ADJUSTMENT SCREW	42899-000	1
53	SPRING ADJUSTMENT SCREW	42899-000	1
54	SPRING ADJUSTMENT SCREW	42899-000	1
55	SPRING ADJUSTMENT SCREW	42899-000	1
56	SPRING ADJUSTMENT SCREW	42899-000	1
57	SPRING ADJUSTMENT SCREW	42899-000	1



ITEM	DESCRIPTION	PART NO.	QTY.
1	BASE ASSEMBLY	58868-002	1
2	ARC SHIELD ASSEMBLY	16993-000	1
3	STATOR ASSEMBLY	19795-000	1
4	ARMATURE ASSEMBLY	19797-002	1
5	ARMATURE HINGE PIN	58843-001	1
6	#10-24 X .62 LG. PAN HEAD SEMS SCREW	49137-076	1
7	SPRING ADJUSTMENT SCREW	42899-000	1
8	SPRING ADJUSTMENT SCREW	42899-000	1
9	SPRING ADJUSTMENT SCREW	42899-000	1
10	SPRING ADJUSTMENT SCREW	42899-000	1
11	SPRING ADJUSTMENT SCREW	42899-000	1
12	SPRING ADJUSTMENT SCREW	42899-000	1
13	SPRING ADJUSTMENT SCREW	42899-000	1
14	SPRING ADJUSTMENT SCREW	42899-000	1
15	SPRING ADJUSTMENT SCREW	42899-000	1
16	SPRING ADJUSTMENT SCREW	42899-000	1
17	SPRING ADJUSTMENT SCREW	42899-000	1
18	SPRING ADJUSTMENT SCREW	42899-000	1
19	SPRING ADJUSTMENT SCREW	42899-000	1
20	SPRING ADJUSTMENT SCREW	42899-000	1
21	SPRING ADJUSTMENT SCREW	42899-000	1
22	SPRING ADJUSTMENT SCREW	42899-000	1
23	SPRING ADJUSTMENT SCREW	42899-000	1
24	SPRING ADJUSTMENT SCREW	42899-000	1
25	SPRING ADJUSTMENT SCREW	42899-000	1
26	SPRING ADJUSTMENT SCREW	42899-000	1
27	SPRING ADJUSTMENT SCREW	42899-000	1
28	SPRING ADJUSTMENT SCREW	42899-000	1
29	SPRING ADJUSTMENT SCREW	42899-000	1
30	SPRING ADJUSTMENT SCREW	42899-000	1
31	SPRING ADJUSTMENT SCREW	42899-000	1
32	SPRING ADJUSTMENT SCREW	42899-000	1
33	SPRING ADJUSTMENT SCREW	42899-000	1
34	SPRING ADJUSTMENT SCREW	42899-000	1
35	SPRING ADJUSTMENT SCREW	42899-000	1
36	SPRING ADJUSTMENT SCREW	42899-000	1
37	SPRING ADJUSTMENT SCREW	42899-000	1
38	SPRING ADJUSTMENT SCREW	42899-000	1
39	SPRING ADJUSTMENT SCREW	42899-000	1
40	SPRING ADJUSTMENT SCREW	42899-000	1
41	SPRING ADJUSTMENT SCREW	42899-000	1
42	SPRING ADJUSTMENT SCREW	42899-000	1
43	SPRING ADJUSTMENT SCREW	42899-000	1
44	SPRING ADJUSTMENT SCREW	42899-000	1
45	SPRING ADJUSTMENT SCREW	42899-000	1
46	SPRING ADJUSTMENT SCREW	42899-000	1
47	SPRING ADJUSTMENT SCREW	42899-000	1
48	SPRING ADJUSTMENT SCREW	42899-000	1
49	SPRING ADJUSTMENT SCREW	42899-000	1
50	SPRING ADJUSTMENT SCREW	42899-000	1
51	SPRING ADJUSTMENT SCREW	42899-000	1
52	SPRING ADJUSTMENT SCREW	42899-000	1
53	SPRING ADJUSTMENT SCREW	42899-000	1
54	SPRING ADJUSTMENT SCREW	42899-000	1
55	SPRING ADJUSTMENT SCREW	42899-000	1
56	SPRING ADJUSTMENT SCREW	42899-000	1
57	SPRING ADJUSTMENT SCREW	42899-000	1

ITEM	DESCRIPTION	PART NO.	QTY.
58	.250-20 X 2.00 LG. HEX HEAD SCREW	47246-071	2
59	ARC SHIELD ASSEMBLY	16993-000	1
60	RESISTOR	SEE TABLE	1
61	AUXILIARY CONTACT ASSEMBLY	68011-004	1
62	#6 X .37 LG. RND HD SELF TAPPING SCREW	47250-008	2
63	.312 FLAT WASHER	47250-005	1
64	ARC SHIELD RETAINER	68323-001	1
65	SPADE TERMINAL #5	57513-066	3
66	SPADE TERMINAL #5	57513-066	3
67	.250 S.S. SPLIT LOCK WASHER	47252-238	3
68	SPADE TERMINAL #6	57513-052	4
69	RESISTOR MOUNTING BRACKET	57419-193	2
70	#6-32 X .375 PAN HEAD SCREW	47243-044	3

ITEM	DESCRIPTION	PART NO.	QTY.
43	BLOWOUT CORE	68670-034	1
44	BLOWOUT COIL INSULATOR	17351-000	1
45	BLOWOUT COIL INSULATING WASHER	16961-000	2
46	L.H. FLUX PLATE ASSEMBLY	16961-000	1
47	R.H. FLUX PLATE ASSEMBLY	16961-000	1
48	TERMINAL	58868-001	1
49	.250-20 X 1.00 LG. S.S. HEX HEAD SCREW	47246-066	2
50	.250-20 X 2.75 LG. HEX HEAD SCREW	47246-094	1
51	.312-18 X .75 LG. HEX HEAD SCREW	47246-079	1
52	.250-20 HEX NUT	47253-601	2
53	.250 FLAT WASHER	47250-502	4
54	.312 INTERNAL TOOTH LOCK WASHER	47304-010	4
55	STANDOFF SPACER	57419-000	2
56	.250-20 BRASS HEX NUT	47254-011	1
57	.250 EXTERNAL TOOTH LOCK WASHER	47303-008	3

RENEWAL PARTS BULLETIN 5210
FIBERGLASS BASE 150 AMP ONE POLE
NORMALLY CLOSED DC CONTRACTOR - SIZE 4
MODEL 2000

ITEM	DESCRIPTION	PART NO.	QTY.
A	CONTRACTOR P/N	58868-001	1
B	OPERATING VOLTAGE	115V	1
C	OPERATING COIL P/N	19905-000	1
D	OPERATING COIL P/N	19912-000	1
E	OPERATING COIL P/N	67892-000	1
F	OPERATING COIL P/N	19912-000	1
G	OPERATING COIL P/N	19912-000	1
H	OPERATING COIL P/N	19912-000	1
I	OPERATING COIL P/N	19912-000	1
J	OPERATING COIL P/N	19912-000	1
K	OPERATING COIL P/N	19912-000	1
L	OPERATING COIL P/N	19912-000	1
M	OPERATING COIL P/N	19912-000	1
N	OPERATING COIL P/N	19912-000	1
O	OPERATING COIL P/N	19912-000	1
P	OPERATING COIL P/N	19912-000	1

NOTE: USE THIS RPC AFTER NOVEMBER 2000. SEE RPC-58868-1 BEFORE NOVEMBER 2000.

DRG. NO. **RPC-58868-3**
 1 OF 1
 DATE: 10-27-00
 DR. T. JOHNSON/CK.
 REF.