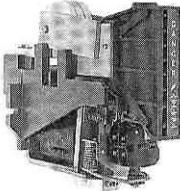


DC Contactor Type 716, 1600 Ampere

Type 716

Price List 42716 • March 2010, Replaces February 2006 • Discount Code E45

Order Information	Coil Suffix Table	
	DC	Suffix
> Type 716 switches are ordered by Catalog Number as follows: 14-193-221-□□-□ <div style="display: flex; justify-content: space-around; width: 100px;"> A B C </div> A) First eight digits specifies device type 716 B) Next two digits specify coil voltage per coil voltage suffix table. C) Last digit specifies auxiliary contact arrangement. > Dimension Data see page 2 > Replacement Parts see Price List 42000	12	51
	28	52
	36	53
	48	54
	74	56
	96	57
	125	58
	250	59

Illustration	Description	Configuration	Rated Voltage	Catalog No.	Price \$	Approx Wt. Lbs (kg)
 Type 716	Contactor without auxiliary contact ^①	Single pole normally open contactor	1500V	14-193-221	\$4,026	60 (27.2)

Main Pole Configuration

Single Pole Normally Open

Contactor Rating

Continuous open air rating = 1600 amps @ 40°C ambient
 Maximum break current = 2,400 amps
 Maximum make current = 10,000 amps
 Maximum interrupting capacity = 2400kw within limits of 2400A, 2400V
 Thru-current capability = 30,000 amps
 Special ratings available—consult factory.

Auxiliary Interlock Rating

Resistance Load
 125V DC or less, 10 amps
 250V DC, 2.5 amps

Mounting

Mounts on 3 in. wide support with two 3/8 in. screws.

Arc Chute Clearance

3 in. min. (face to nearest conductive surface)

Power Connections

Top and bottom of contactor
 Two 3/8 in.-16 tapped holes per terminal

Coil Connections

Four 1/4 in. fastons
 Two tabs each side of line

Weight

60 lb (27.3 kg)

Auxiliary Contacts^②

Configuration	Suffix	Price \$
1 NO + 3 NC	1	\$252
2 NO + 2 NC	2	\$252
3 NO + 1 NC	3	\$252
4 NO + 0 NC	4	\$252
0 NO + 4 NC	5	\$252
None	7	—

Operating Coils^③

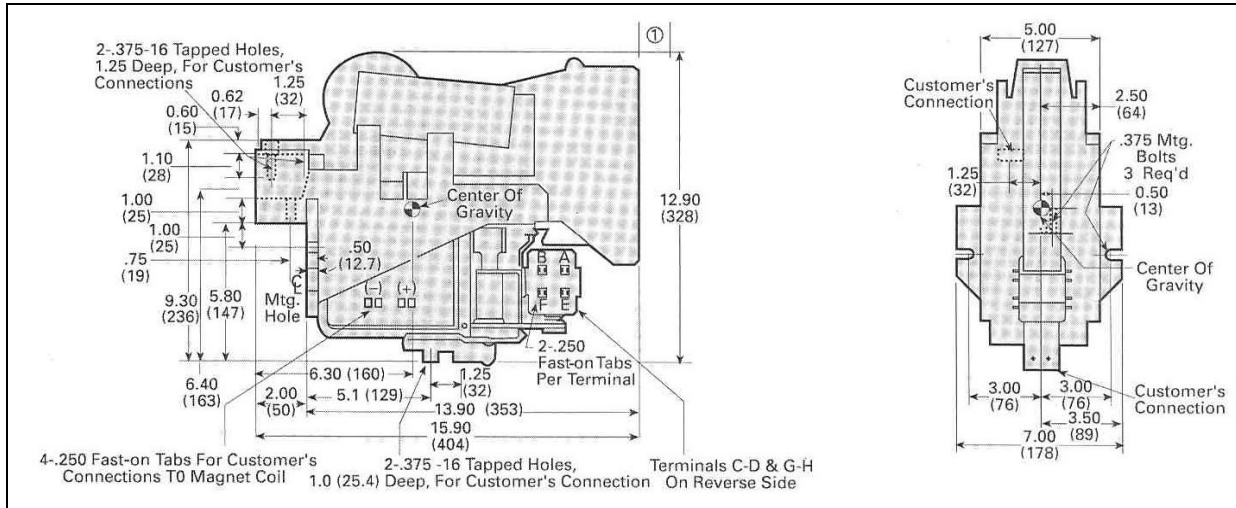
Volts DC	Ohms (20°C)
12	3.1
24	12.0
36	26.0
48	41.0
74	120.0
96	173.0
125	270.0
250	1,044.0

Coil voltage tolerance 80% to 110% of rated voltage.

- ① One 4 circuit contact may be added. Select from Auxiliary Contacts Suffix Table.
- ② Special configurations available. Consult local Hubbell sales office.
- ③ Minimum pickup voltage is 60% of rated coil volts, with cold (20°C) coil and 80% of rated coil volts with hot (140°C) coil. Dropout is from 5% to 25% of rated coil volts. All temperatures in °C.



DC Contactor Type 716, 1600 Ampere



All dimensions shown in inches (millimeters). For reference purposes only. Not to be used for design or construction purposes.

① Electrical clearance to ground: 3.00 (76)

Prices subject to change without notice.



Hubbell Industrial Controls, Inc.

A subsidiary of Hubbell Incorporated

4301 Cheyenne Dr., Archdale, NC 27263
 Telephone (336) 434-2800 • FAX (336) 434-2803
<http://www.hubbell-icd.com>
sales@hubbell-icd.com