

**Non-Contact Speed Responsive Switches
2 Wire AC or 3 Wire Low Voltage DC**

Catalog Identification	Catalog Part Number	Description 2 Wire 120 VAC	List Price
2310-LSP	HC48910101	Low Speed, Plastic Housing	\$750.00
2310-HSP	HC48910102	High Speed, Plastic Housing	\$750.00
2310-LSHP	HC48910151	Low Speed, Nickel-Plated Sleeve	\$900.00
2310-HSNP	HC48910152	High Speed, Nickel-Plated Sleeve	\$900.00

Catalog Identification	Catalog Part Number	Description 3 Wire 12-24 VDC "Load Sinking"	List Price
2310-NPNOLSP	HC48952101	Low Speed, Plastic Housing N.O. Contact	\$750.00
2310-NPNCLSP	HC48952102	Low Speed, Plastic Housing N.C. Contact	\$750.00
2310-NPNOHSP	HC48952103	High Speed, Plastic Housing N.O. Contact	\$750.00
2310-NPNCHSP	HC48952104	High Speed, Plastic Housing N.C. Contact	\$750.00
2310-NPNOLSNP	HC48952151	Low Speed, Nickel-Plated Sleeve N.O. Contact	\$900.00
2310-NPNCLSNP	HC48952152	Low Speed, Nickel-Plated Sleeve N.C. Contact	\$900.00
2310-NPNOHSNP	HC48952153	High Speed, Nickel-Plated Sleeve N.O. Contact	\$900.00
2310-NPNCHSNP	HC48952154	High Speed, Nickel-Plated Sleeve N.C. Contact	\$900.00

Catalog Identification	Catalog Part Number	Description 3 Wire 12-24 VDC "Load Sourcing"	List Price
2310-PNPOLSP	HC48953101	Low Speed, Plastic Housing N.O. Contact	\$750.00
2310-PNPCLSP	HC48953102	Low Speed, Plastic Housing N.C. Contact	\$750.00
2310-PNPOHSP	HC48953103	High Speed, Plastic Housing N.O. Contact	\$750.00
2310-PNPCHSP	HC48953104	High Speed, Plastic Housing N.C. Contact	\$750.00
2310-PNPOLSNP	HC48953151	Low Speed, Nickel-Plated Sleeve N.O. Contact	\$900.00
2310-PNPOLSNP	HC48953152	Low Speed, Nickel-Plated Sleeve N.C. Contact	\$900.00
2310-PNPOHSNP	HC48953153	High Speed, Nickel-Plated Sleeve N.O. Contact	\$900.00
2310-PNPCHSNP	HC48953154	High Speed, Nickel-Plated Sleeve N.C. Contact	\$900.00

Prices are subject to change without notice.

Accessories and Dimensions on following page.

**Hubbell Industrial Controls, Inc.***a subsidiary of Hubbell Incorporated*

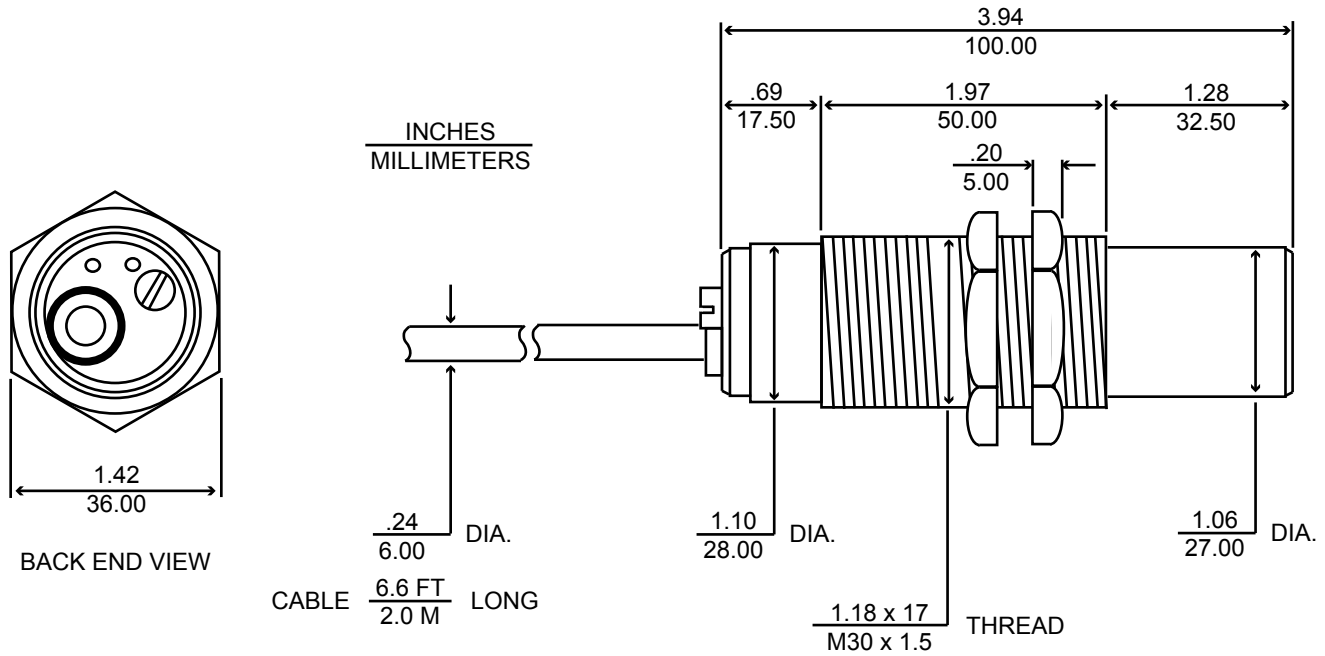
4301 Cheyenne Drive, Archdale, NC 27263

Telephone (336) 434-2800 • Fax (336) 434-2803

<http://www.hubbell-icd.com>

Sales@hubbell-icd.com

OUTLINE DRAWING NON-CONTACT SPEED SWITCH



ACCESSORIES		
Description	Part Number	List Price
Black Mounging Jam Nut	HC48916001	\$ 18.00
Nickel-Plated Brass Jam Nut	HC48916002	\$ 21.00
Mounting Bracket	HC48943000	\$ 12.00

See Catalog 2310
for Application Information

Prices are subject to change without notice.



Hubbell Industrial Controls, Inc.

a subsidiary of Hubbell Incorporated

4301 Cheyenne Drive, Archdale, NC 27263

Telephone (336) 434-2800 • Fax (336) 434-2803

<http://www.hubbell-icd.com>

Sales@hubbell-icd.com